

FOSC 400

Fiber Optic Splice Closure



The FOSC name has been synonymous with excellence in sealing, fiber management, ease of use, and design flexibility since the FOSC 100 closure was first introduced in 1986. FOSC closures have always been engineered specifically for fiber optic applications; they are not modified copper closures. The difference shows—ask someone who has worked with the product.

FOSC 400 closures combine proven fiber management hardware with a highly reliable sealing system. Base-to-dome seals on FOSC 400 closures are mechanical for ease of installation and re-entry, and cable seals feature a unique TE heat-shrink sleeve and hot-melt adhesive system that is installed with a hot-air gun. Common materials, accessories, and practices are used throughout the product line to simplify training, reduce inventory, and enhance productivity.

FOSC 400 fiber optic splice closures are available in four sizes: FOSC 400 A, FOSC 400 B, FOSC 400 C, and FOSC 400 D, with multiple styles in some sizes. All sizes are designed for use with any cable construction (loose buffer tube, central core tube, loose fiber, and ribbon), in any environment (aerial, pedestal, buried, handhole, and manhole), and for numerous splice applications (express, tap-off, branch, and repair)

FEATURES

- Butt splice closures
- Heat-shrink technology
- Hinging trays
- Superior fiber management

FOSC 400

Fiber Optic Splice Closure

FOSC 400A AND A8 CLOSURES

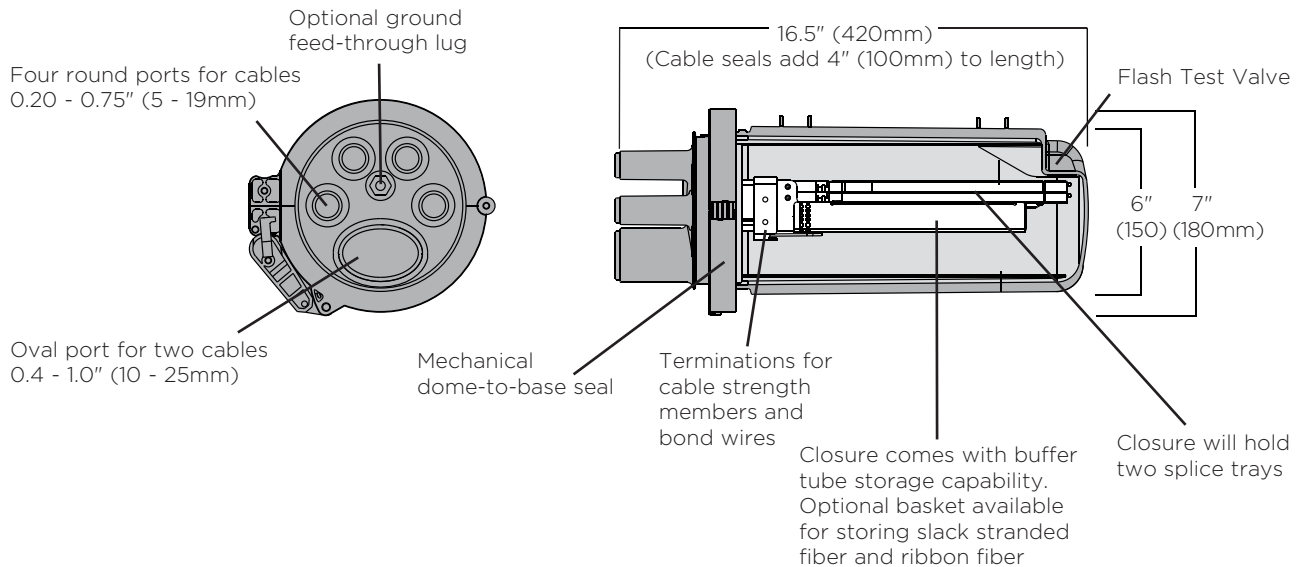
These are the smallest of the FOSC 400 closures. The A8 is intended for low fiber count cable splices and “tap-off” splices. Tap-off splices are those where most of the fibers in a cable are “expressed” uncut through the closure and only a few fibers are cut and re-spliced to feed a building or Optical Network Unit (ONU). The FOSC 400 A4 closure comes ready to store expressed loose buffer tubes. An optional slack storage basket is available for express stranded fiber and ribbon fiber.

The A8 closure provides a compact solution for the Fiber-To-The- Home (FTTH) market. The eight round ports base provides an excellent platform for single or multi-fiber drops while maintaining the proven reliability of FOSC splice closures.

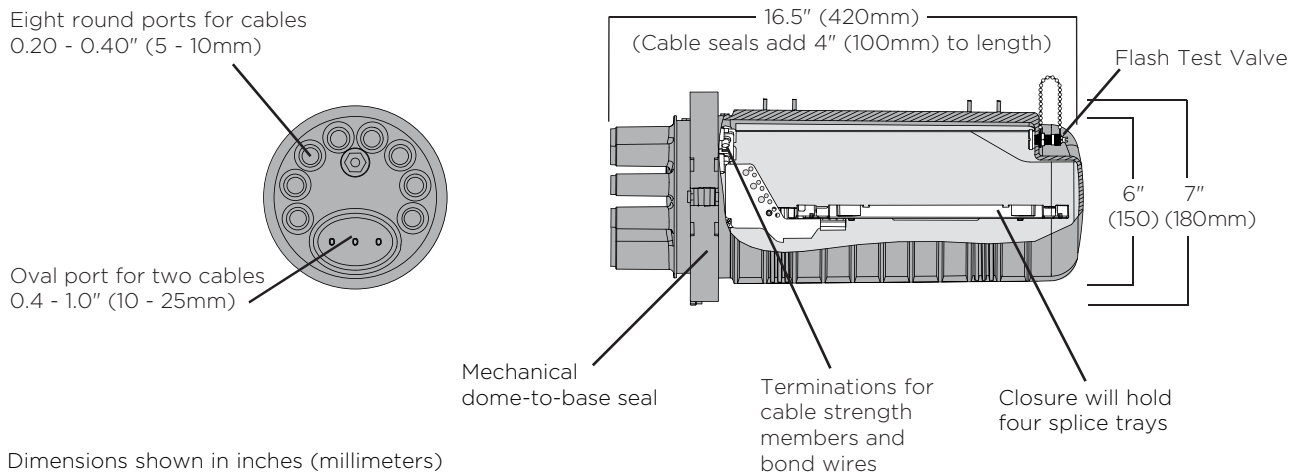
The individual drop port approach simplifies the provisioning, repair, and restoration of subscribers. The ability to house pre-configured splitters as well as up to eight adapters in a specially modified basket makes this closure an ideal solution in today's Passive Optical Network (PON).

As with all FOSC 400 closures, the slack storage and splice capacity of the FOSC 400 A4 closure depends on a number of factors including cable construction, splice type, and slack fiber lengths. Refer to the Closure Capabilities chart for more details.

FOSC 400 A4 CLOSURE



FOSC 400 A8 CLOSURE



Dimensions shown in inches (millimeters)

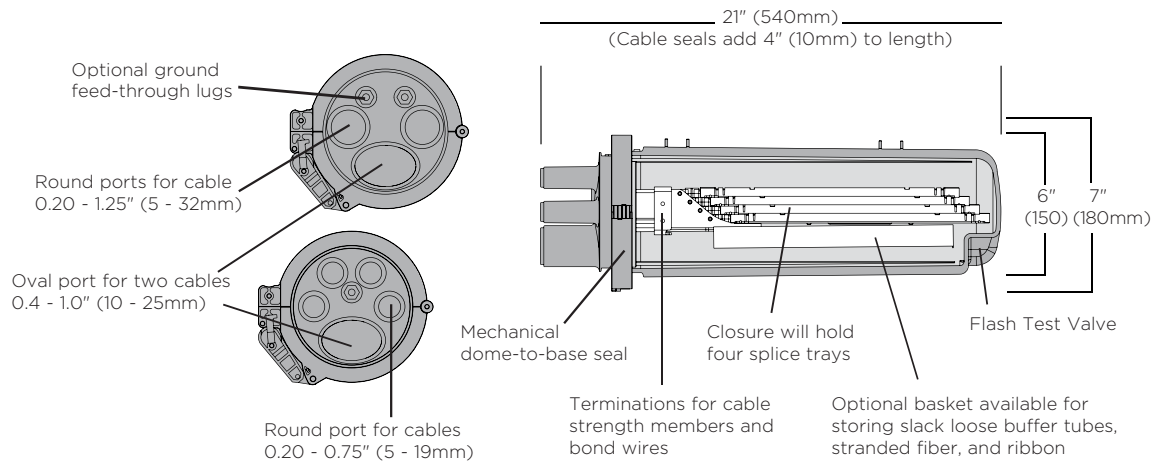
FOSC 400

Fiber Optic Splice Closure

FOSC 400 B2 AND B4 CLOSURES

These two closures are identical except for their end cable port configurations. In addition to a large oval port for the main distribution cable, the B2 closure has two large round ports for branch cable splices and the B4 closure has four small round ports for multiple drop applications.

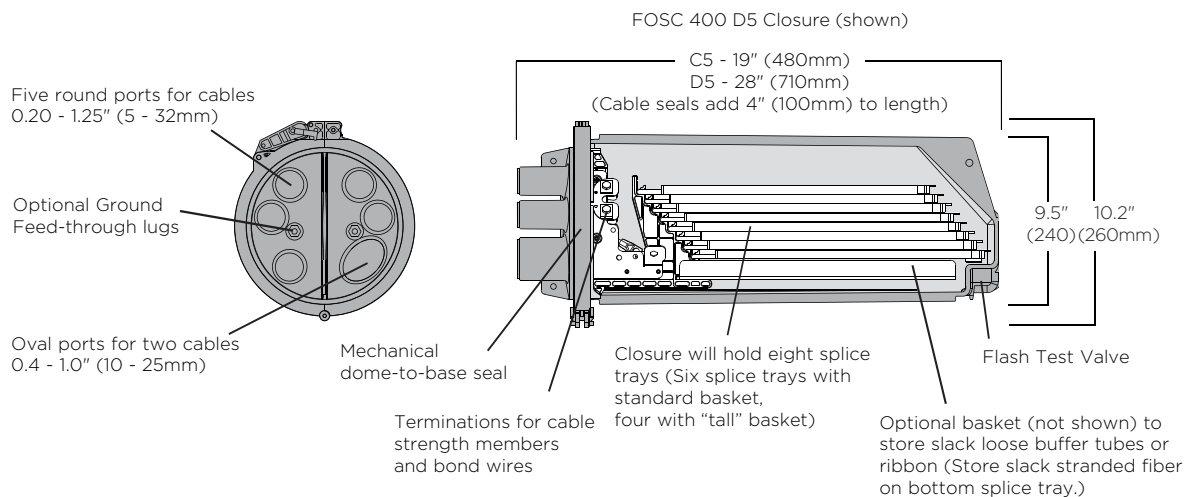
The FOSC 400 cable sealing system provides a great deal of flexibility. For example, four small cables can be terminated in the two round ports of a B2 closure with the use of branch-off clips. It is also possible to terminate three cables in the oval port of either closure.



FOSC 400 C5 AND D5 CLOSURE

The D5 is the largest of the FOSC 400 closures. It has one oval port, five large round ports and can terminate seven cables (or up to twelve cables with the use of branch-off clips). The splice capacity is 288 single mechanical, 576 single fusion, or 1728 mass fused fibers. The versatile slack basket can store ribbon fiber or expressed, uncut loose buffer tubes.

The C5 is the same diameter as the D5 and uses the same base, but incorporates a shorter C tray and shorter dome for a closure that is 7 inches shorter than the D5.



Spliced Fiber Storage Capacity			Closure
Single Fusion	Single Mechanical*	Mass Fusion	
48-A4, 96-A8	24	144	FOSC-400 A4, A8
96	48	288	FOSC-400 B2, B4
192	96	864	FOSC 400 C5
576	288	1728	FOSC 400 D5

FOSC 400

Fiber Optic Splice Closure

Selection guide

FOSC 400 CLOSURES AND ACCESSORIES

Catalog Number
FOSC 400-XX-XX-X-XXX

Closure Size (inches)

A	8 dia. x 19 1/2 long
B	8 dia. x 25 long
C	11 1/2 dia. x 23 long
D	11 1/2 dia. x 31 long

Cable Entry Ports (in addition to oval port)

All closures include an oval port for pass through cables

2	B closure only
4	A and B closure only
5	C and D closure only
8	A closure only

Capacity (or type) of Splice Tray

12	A, B, or C tray w/two SM6 splice modules
24*	A, B or C tray w/two SM12 splice modules
36	D tray with six SM6 splice modules
72*	D tray with six SM12 splice modules
R1	A, B size ribbon tray (accommodates 12 ribbons/144 fibers)
R2	D size ribbon tray (24 ribbons/288 fibers)
R3	C size ribbon tray (18 ribbons/216 fibers)
NT	No Trays

*Note: SMOUV (1120-01-US) splice protection sleeves should be used with SM12 splice modules.

Number of Splice Trays

	0 or 1 is standard
--	--------------------

Cable Blocking Components

B	Blocking
N	None

Ground Feed-through Lugs

G	Grounding
N	None

Valve for Flash Test

V	Valve
N	No Valve

CABLE SEALS

Catalog Number
FOSC ACC-Cable Seal-X-XX

Where Used

1	Round port
2	Oval Port

Type of Cable Seal

T	Tubular
W	Wraparound

Cable Blocking Components

B	Blocking
N	None

Note: Cable seal kits include cable termination components.

SPLICE TRAYS - SINGLE FIBER TRAYS

Catalog Number
FOSC ACC-D-Tray 36

Closure Size

	A, B, C, or D
--	---------------

Type of Cable Seal

A Tray	12, 16, or 24
B Tray	12, 16, or 24
C Tray	12 or 24
D Tray	36, 48, or 72

Accessory

Fits FOSC A and B size closures. Handles 12,12 fiber ribbon splices (144 fibers)	FOSC-ACC-A/B-TRAY-12-RIBN
Fits FOSC 400 C and 450 C closures. Handles 18, 12 fiber ribbon splices (216 splices)	FOSC-ACC-C-TRAY-RIBN-18
Fits FOSC D closures. Handles 24, 12 fiber ribbon splices (288 fibers)	FOSC-ACC-D-TRAY-RIBN-24

SLACK FIBER STORAGE BASKETS

Catalog Number
FOSC ACC-B basket (-B)

Closure Size

Include "-B" if cable blocking sleeves required for express (uncut) cable.

Note: "D" basket is available in standard and tall sizes. Standard size takes up two tray locations and tall size takes up four tray locations.

DATA SHEET

Contact us:

P.O. Box 1101
Minneapolis, Minnesota
USA 55440-1101
Tel:1-800-366-3891 x73000
1-952-917-3000
Fax:1-952-917-3237

www.te.com/TelecomNetworks



FOSC 400, TE Connectivity, TE connectivity (logo), Tyco Electronics, TE (logo), are trademarks of the TE Connectivity Ltd. family of companies and its licensors.

While TE Connectivity has made every reasonable effort to ensure the accuracy of the information in this document, TE Connectivity does not guarantee that it is error-free, nor does TE Connectivity make any other representation, warranty or guarantee that the information is accurate, correct, reliable or current. TE Connectivity reserves the right to make any adjustments to the information contained herein at any time without notice. TE Connectivity expressly disclaims all implied warranties regarding the information contained herein, including, but not limited to, any implied warranties of merchantability or fitness for a particular purpose. The dimensions in this document are for reference purposes only and are subject to change without notice. Specifications are subject to change without notice. Consult TE Connectivity for the latest dimensions and design specifications.

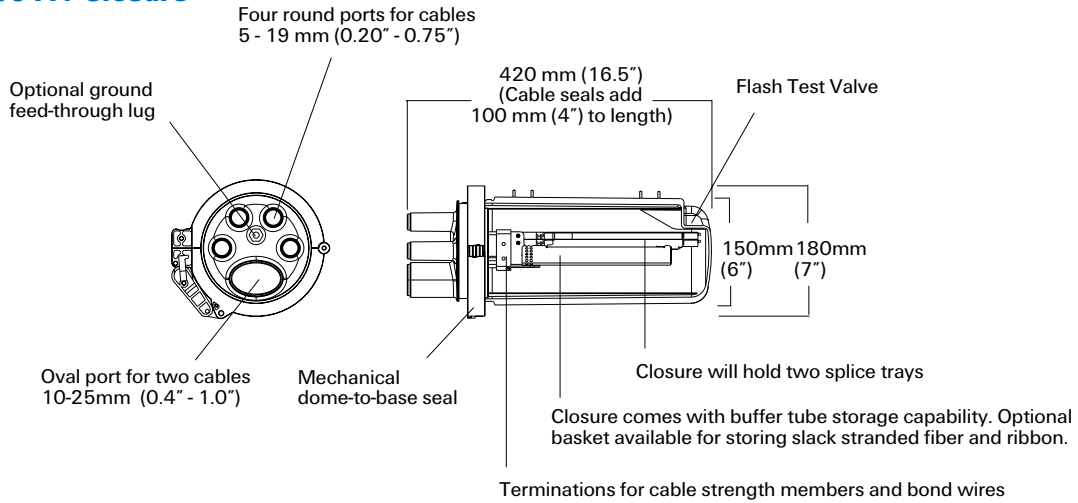
Tyco Electronics Corporation, a TE Connectivity Ltd. Company. All Rights Reserved.

317450AE 9/13 Revision © 2013, 2008, 2005 (F262.05/08)

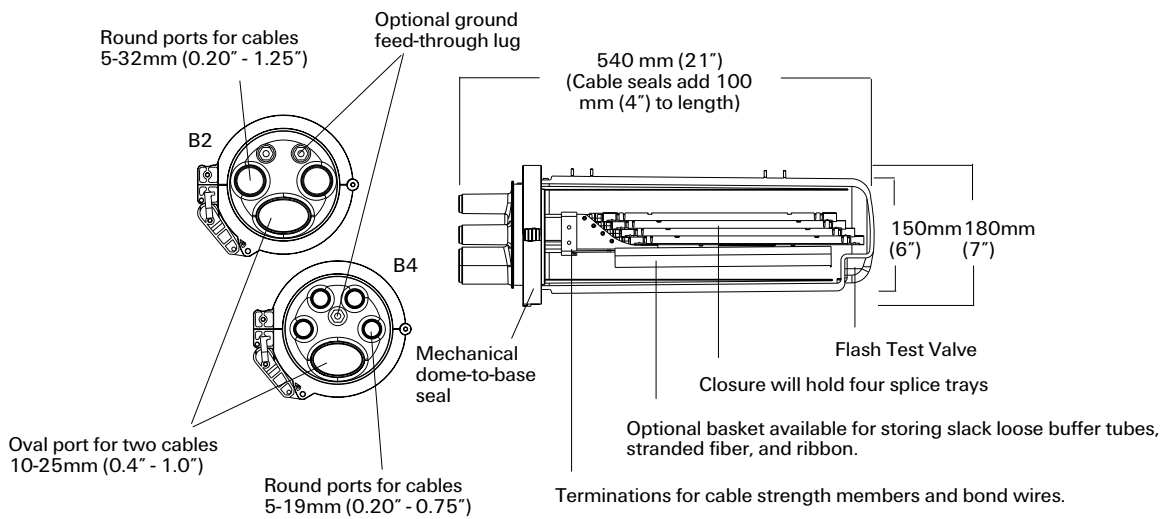
Ordering Guide For Closures and Accessories

<i>Section I</i>	3
How to Order FOSC 400 Closures	
<i>Section II</i>	5
How to Order Accessories for FOSC 400 Closures	
<i>Section III</i>	9
Other "FOSC" Fiber Optic Splice Closures	
<i>Section IV</i>	11
Product Index	
<i>Section V</i>	15
Product Descriptions, Part Numbers, Photographs	

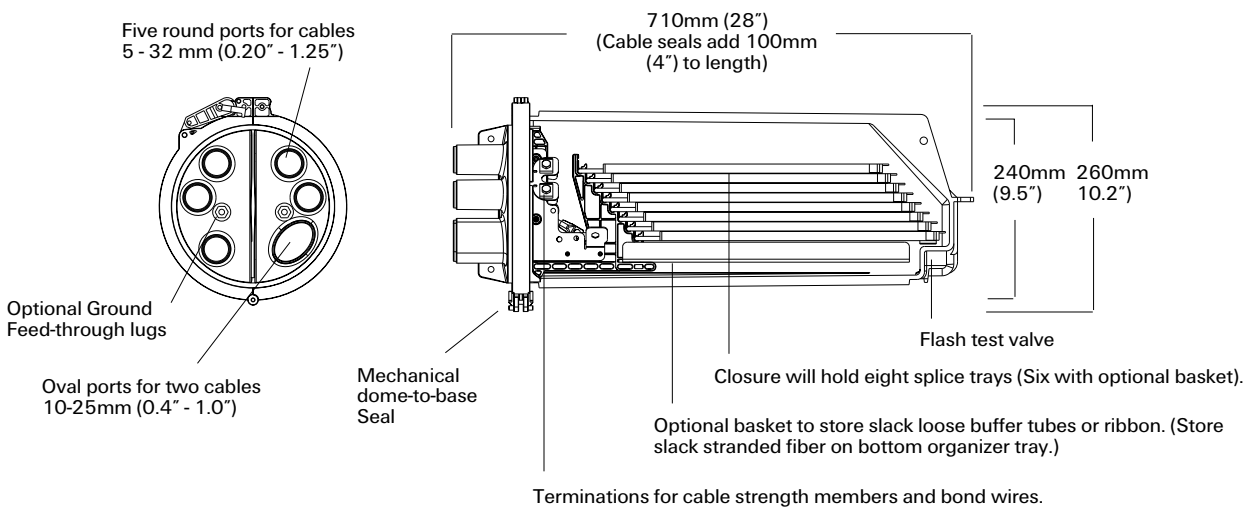
FOSC 400 A4 Closure



FOSC 400 B2 and FOSC 400 B4 Closure



FOSC 400 D5 Closure



How to Order FOSC 400 Closures

FOSC 400 closures are designed for “butt splices” of fiber cable. (i.e. all cables enter one end of the closure). They can be used with any type of cable and for aerial, buried and manhole applications.

The main FOSC 400 family consists of four closures:

FOSC 400 D5	Large
FOSC 400 B4	↓
FOSC 400 B2	
FOSC 400 A4	Small

The letters A, B and D indicate the size of the closure. (See illustrations on opposite page.)

The numbers 2, 4, and 5 indicate the number of single round ports on the base of the closure. All closures also have an oval port for two single cables or an uncut, “express” cable. All closure kits come with everything required to terminate two cables (diameter 0.4 to 1.0 inch) in the oval port.

To order a closure and accessories for a splice, you need to know the following:

- How many cables will enter the closure?
- What types of cables will be used? (loose buffer tube, central core tube, ribbon tube?)
- What size are the cables? (Diameter and number of fibers?)
- How many fibers will be spliced and how many expressed (uncut) through the closure?
- How will the fibers be spliced? (Single fusion, mass fusion, mechanical?)
- Is cable blocking required? (To block water and grease and prevent cable “pistoning.”)
- Are ground feed-through lugs required? (For external grounding of metallic cable shields.)
- Where will the closure be mounted? (Strand, pole, wall, or manhole?)

Select closure based on number of cables and fibers to be spliced:

FOSC 400 Closure Size	Maximum Splice Capacity ¹ Single Fiber	Maximum Splice Capacity ¹ 12-Fiber Ribbons	Maximum Number of Cable Sheaths ^{2,3}
FOSC 400 D5	576	1728	12
FOSC 400 B2	96	576	6
FOSC 400 B4	96	576	6
FOSC 400 A4	48	288	6

(1) It is recommended you do not exceed 75% of the closure capacity to allow for future growth.

(2) If they fit, two cables can be installed in one round port. Branch off clip is required.

(3) A4 and B4 closures can only take small drop cables in round ports. (< 0.375 inch if cable blocking)

Splice Modules and Splice Tray Capacity

The capacity of splice trays in FOSC 400 closures depends on the type of splice module used to hold the splices. There are three commonly used splice modules: the SM6, SM8, and SM12. ("SM" stands for splice module and the number that follows indicates how many single fusion splices the module will hold.)

Splice Module	Type of Splice	Splices per Module	A & B Closures			D Closures	
			Spliced fibers in one tray	Spliced fibers in closure A B		Spliced fibers in one tray	Spliced fibers in closure
SM6	Single Fusion	6	12	24	48	36	288
	Single Mechanical	6	12	24	48	36	288
	Mass Fusion	6	144	288	576	432	1728
SM8	Single Fusion	8	16	32	64	48	384
	Single Mechanical	4	8	16	32	24	192
SM12	Single Fusion ¹	12	24	48	96	72	576

- 8 trays can be installed in a D closure. Each D tray holds 6 splice modules.
- 4 trays can be installed in a B closure. Each B tray holds 2 splice modules.
- 2 trays can be installed in an A closure. Each A tray holds 2 splice modules.

Note: When ribbon splicing, a slack basket is required to store excess fiber. In the "D" closure, this basket occupies either 2 or 4 tray spaces (see table on page 5).

Closure kits are usually shipped with one tray. Organizer trays are designated by their single fusion splice capacity.

For example:

"FOSC400-D5-36-1" closure has one 36-splice tray (six SM6 splice modules).

"FOSC400-B2-24-1" closure has one 24-splice tray (two SM12 splice modules).

Cable Blocking, Grounding, and Flash Test Valves

Closure kit designations have three letters at the end to indicate further options.

For Example: FOSC400-D5-36-1-BGV

The first letter is "B" if cable Blocking components are included "N" if not.

The second letter is "G" if Ground feed-through lugs are included, "N" if not.

The third letter is "V" indicating a flash test Valve is installed on the dome.

Cable blocking is used by many customers to prevent water or grease from entering the closure through cable ends and to prevent "pistonning" of cable central members in certain aerial installations. Ground feed-through lugs and valves are ordered with almost all closures.

Refer to pages 11-13 for additional details on closure kits.

How to Order Accessories for FOSC 400 Closures

FOSC closure accessories that may be required include:

- [Splice Trays](#) (to hold more splices)
- [Baskets](#) (to store slack or express buffer tubes, fibers, or ribbons)
- [Cable Seals](#) (to terminate additional cables)
- [Mounting Brackets](#) (to attach closure to a wall, pole, or manhole)

· [Splice Trays](#) are ordered by specifying the size and type of tray required. (Refer to table on previous page for an explanation of splice modules and tray capacity.)

The most commonly used splice trays are:

- FOSC-ACC-D-Tray-36 (D size tray with six SM6 splice modules = 36 splices per tray)
- FOSC-ACC-B-Tray-12 (B size tray with two SM6 splice modules = 12 splices per tray)
- FOSC-ACC-B-Tray-24 (B size tray with two SM12 splice modules = 24 splices per tray)
- FOSC-ACC-A-Tray-12 (A size tray with two SM6 splice modules = 12 splices per tray)

Refer to pages 16, 18, and 19 for additional details on splice trays for D, B, and A closures, respectively. Note that each part number refers to one tray. Trays are normally shipped two per box, therefore they must be ordered in multiples of two.

· [Baskets](#) are mounted under splice trays and used to store slack ribbon, loose buffer tubes and bare fibers. Baskets are available in standard and “-B” versions. (e.g. FOSC-ACC-B-Basket-B) The “-B” kits contain two wrap-around heatshrink sleeves for cable blocking express (uncut) cables. If cable blocking is ordered with closures and cable seals, then the “-B” baskets should be used. Refer to pages 17, 18, 19, and 20 for additional details on Baskets for D, B, and A closures, respectively.

Closure Size	Basket is used to store uncut...	Basket Accessory Kit	Tray Capacity w/Basket	Tray Capacity w/o Basket
D	Loose Buffer Tubes (LBT) or Ribbons ^{1,2}	D Basket	6	8
		D Basket - Tall	5	8
B	LBT, Bare fibers, or Ribbons ²	B Basket	4	4
A	Bare fibers or Ribbons ^{2,3}	A Basket	2	2

(1) Store express single fibers on bottom organizer tray in D closures.

(2) Basket is always required for ribbon splicing, even if no express (uncut) fibers.

(3) A-size closures come with “LBT Sock” for storing express loose buffer tubes.

· [Cable Seals](#) are used to seal and secure cables in a closure. All closure kits contain an oval port seal and branch-off clip to install two cables (or one express cable) in the oval port. Additional cable seal kits are required to terminate cables in the round ports.

There are four types of cable seal kits that can be used with any FOSC 400 closure:

- Round port, tubular
- Round port, wraparound
- Oval port, tubular
- Oval port, wraparound

Oval seals come with the closure. Wraparound seals are only used for repair or when adding a second cable to a port with an existing cable. Therefore, the only cable seal accessory kit normally required (for any closure and cable) is the round port, tubular seal.

Cable seal kit designations have a number followed by two letters at the end to indicate further options.

e.g. FOSC-ACC-Cable-Seal-1-BT

The number is 1 for a round port seal, 2 for an oval port seal.

The first letter is "B" if cable Blocking components are included, "N" if not.

The second letter is "T" if the sleeve is Tubular, "W" if Wraparound.

Wraparound cable seal kits do not include cable termination components because they are normally used only for repair applications. Refer to pages 20 - 22 for additional information on cable seal kits.

· **Mounting Brackets** are available to attach FOSC 400 closures to aerial strands, poles, walls, and manhole racking. The kits that may be required are indicated below.

Closure	Manhole ¹	Aerial Strand Direct Lash	Aerial Strand Offset	Pole or Wall
D5	<i>Brackets come with closure kit</i>	FOSC ACC Lashing Straps	FOSC ACC Aerial Clamps	FOSC ACC D Pole Mount
B2, B4	FOSC ACC Lashing Straps	FOSC ACC Lashing Straps	FOSC ACC Aerial Clamps	FOSC ACC A/B Pole Mount
A4	FOSC ACC Lashing Straps	FOSC ACC Lashing Straps	FOSC ACC Aerial Clamps	FOSC ACC A/B Pole Mount

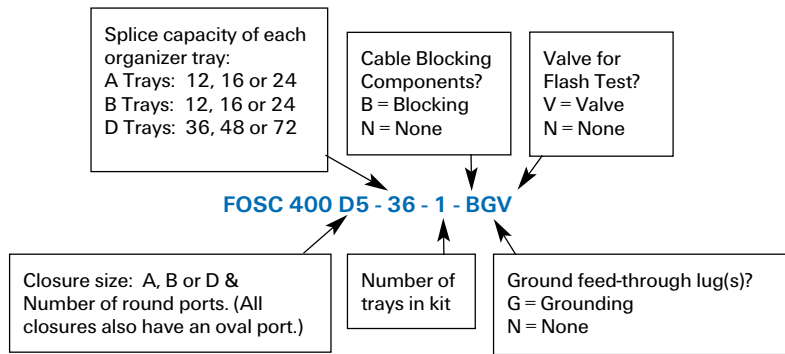
(1) Attach closure to 1.25 inch galvanized pipe or equivalent. Attach pipe to manhole steps. Pipe not included.

Refer to pages 26-27 for additional details on closure mounting kits.

Summary

Closures

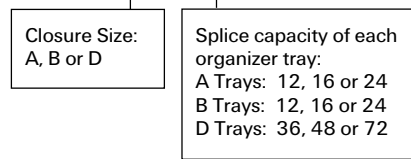
Note: Closure kits are normally ordered with no trays or one tray and have a valve.



Splice Trays

Note: Splice trays are packaged two per box.

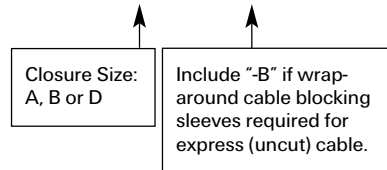
FOSC ACC D Tray 36



Baskets

Note: "D" basket is available in standard and tall sizes. See table on page 5.

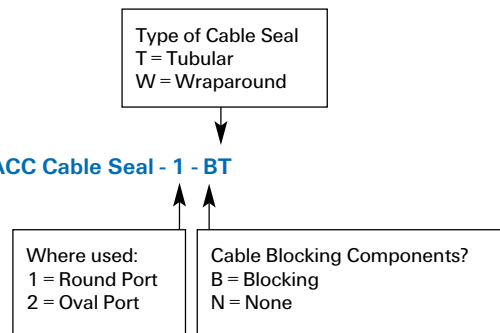
FOSC ACC B-Basket (-B)



Cable Seals

Note: Tubular cable seal kits include cable termination components.

FOSC ACC Cable Seal - 1 - BT



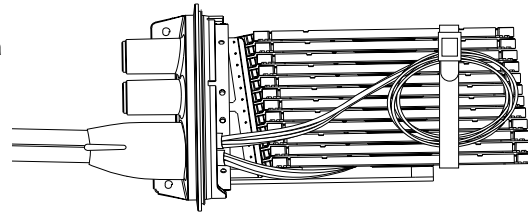
Other "FOSC" Fiber Optic Splice Closures

The FOSC family of closures has expanded to include a number of specialty products.

FOSC 400 D5/B

The "D5/B" closure combines a standard "D5" base with a shortened dome and holds up to 12 "B" size splice trays. Single splice capacity is 288.

See pages 13 and 32.



FOSC 400 D/Gel

The "D/Gel" closure is very similar to the "D5" closure except it has a unique, "wraparound" gel block that can seal around existing cables without heat-shrink. The D/Gel can be used to upgrade smaller closures to larger closures or for "express" splices that might not fit through the oval port on a D5 closure. Performance specifications are the same as for standard FOSC 400 closures.

See pages 13 and 32.



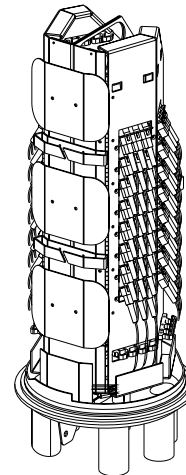
FOSC 400 XCON

The XCON is a FOSC 400 D5 closure with splice trays and a patch panel for outside plant cross-connects. Capacity is 96 connections (192 connectors). It can be ordered in a variety of configurations:

FOSC-400-D5-XCON-abcde-BGV

- a. Type of Connectors and Adapters. 2=FC, 3=FC/APC, 4=ST, 7=SC/UPC, 8=SC/APC, E=Angled Polish E2000
- b. Number of Pigtails installed in closure (on back of patch panel)
0=none, 1=96, 2=72, 3=60, 4=48, 5=36, 6=24, 7=12
- c. Number of Patch Cords (for front of patch panel).
0=none, 1=48, 2=36, 3=30, 4=24, 5=18, 6=12, 7=6
- d. Preterminated Cables. 0=no, 1=yes (details must be specified, price will vary)
- e. Number of Adapters installed (96 is standard)
-*Blank=96, B=72, C=48, D=24

See pages 13 and 32.



Splice Closures

	Page No.	Part No.	Description
FOSC 400 D5	15	392343	FOSC 400 D5 36-1-NNV
		933697	FOSC 400 D5 36-1-BNV
		197697	FOSC 400 D5 36-1-NGV
		892435	FOSC 400 D5 36-1-BGV
		267065	FOSC 400 D5 48-1-NNV
		649865	FOSC 400 D5 48-1-BNV
		731489	FOSC 400 D5 48-1-NGV
		074169	FOSC 400 D5 48-1-BGV
		470915	FOSC 400 D5 72-1-NNV
		394701	FOSC 400 D5 72-1-BNV
		629313	FOSC 400 D5 72-1-NGV
		510487	FOSC 400 D5 72-1-BGV
		FOSC 400 B2	15
418907	FOSC 400 B2 12-1-BNV		
830961	FOSC 400 B2 12-1-NGV		
462619	FOSC 400 B2 12-1-BGV		
727401	FOSC 400 B2 16-1-NNV		
710337	FOSC 400 B2 16-1-BNV		
543757	FOSC 400 B2 16-1-NGV		
903069	FOSC 400 B2 16-1-BGV		
956399	FOSC 400 B2 24-1-NNV		
938871	FOSC 400 B2 24-1-BNV		
692543	FOSC 400 B2 24-1-NGV		
276559	FOSC 400 B2 24-1-BGV		
FOSC 400 B4	15	309059	FOSC 400 B4 12-1-NNV
		886337	FOSC 400 B4 12-1-BNV
		138273	FOSC 400 B4 12-1-NGV
		247137	FOSC 400 B4 12-1-BGV
		100753	FOSC 400 B4 16-1-NNV
		159761	FOSC 400 B4 16-1-BNV
		701709	FOSC 400 B4 16-1-NGV
		355883	FOSC 400 B4 16-1-BGV
		393723	FOSC 400 B4 24-1-NNV
		638697	FOSC 400 B4 24-1-BNV
		702883	FOSC 400 B4 24-1-NGV
		136051	FOSC 400 B4 24-1-BGV
FOSC 400 A4	15	529391	FOSC 400 A4 12-1-NNV
		082857	FOSC 400 A4 12-1-BNV
		656459	FOSC 400 A4 12-1-NGV
		324067	FOSC 400 A4 12-1-BGV
		700297	FOSC 400 A4 16-1-NNV
		034123	FOSC 400 A4 16-1-BNV
		652491	FOSC 400 A4 16-1-NGV
		792723	FOSC 400 A4 16-1-BGV
		178807	FOSC 400 A4 24-1-NNV
		319485	FOSC 400 A4 24-1-BNV
		915207	FOSC 400 A4 24-1-NGV
		693863	FOSC 400 A4 24-1-BGV
16	N/A	Cable-Termination-2-Sub	
16	N/A	Cable-Block-2-Sub	

Accessories

	Page No.	Part No.	Description	
"D5" Accessories				
	16	426579	FOSC ACC D Tray 36	"D" Splice tray with six "SM6" splice modules
	16	579575	FOSC ACC D Tray 48	"D" Splice tray with six "SM8" splice modules
	16	915167	FOSC ACC D Tray 72	"D" Splice tray with six "SM12" splice modules
	17	089279	FOSC ACC D Basket	For storing slack or express tubes or ribbons
	17	035297	FOSC ACC D Basket-B	Above basket with 2 wraparound CB sleeves
	17	056395	FOSC ACC D Basket-Tall	Taller version of basket, more storage space
	18	380999	FOSC ACC D Basket-Tall-B	Above tall basket with 2 wraparound CB sleeves
	18	525147	FOSC ACC D Ribbon Router	Snaps into above baskets to route ribbons
		301687	FOSC ACC D Dome Clamp	Replacement clamp for dome to base seal
		429631	FOSC ACC D O-Ring Seal	Replacement O-ring
		766709	FOSC ACC D Vault Bag	Fire resistant bag for vault applications
"B2 and B4" Accessories				
	18	898849	FOSC ACC B Tray 12	"B" Splice tray with 2 "SM6" splice modules
	18	299295	FOSC ACC B Tray 16	"B" Splice tray with 2 "SM8" splice modules
	18	863927	FOSC ACC B Tray 24	"B" Splice tray with 2 "SM12" splice modules
	19	457507	FOSC ACC B Basket	For storing slack or express tubes or ribbons
	19	439027	FOSC ACC B Basket-B	Above basket with 2 wraparound CB sleeves
		952679	FOSC ACC A/B Dome Clamp	Replacement dome clamp
		381107	FOSC ACC A/B O-Ring Seal	Replacement O-ring
		263245	FOSC ACC A/B Vault Bag	Fire resistant bag for vault applications
"A4" Accessories				
	19	497817	FOSC ACC A Tray 12	"A" Splice tray with 2 "SM6" splice modules
	19	019847	FOSC ACC A Tray 16	"A" Splice tray with 2 "SM8" splice modules
	19	429567	FOSC ACC A Tray 24	"A" Splice tray with 2 "SM12" splice modules
	20	028323	FOSC ACC A Basket	For storing slack or express tubes or fibers
		869195	FOSC ACC A Basket-B	Above basket with 2 wraparound CB sleeves
				<i>Note: FOSC ACC A/B kits above can be used on "A" and "B" closures</i>
Cable Seals				
	20	694667	FOSC ACC Cable Seal-1 NT	Kit to install one cable in any round port
	20	738827	FOSC ACC Cable Seal-1 BT	As above with CB components for one cable
	21	274041	FOSC ACC Cable Seal-1 NW	Wraparound cable seal for use on round port
	21	175493	FOSC ACC Cable Seal-2 NT	Kit to install 2 cables in any oval port
	21	856587	FOSC ACC Cable Seal-2 BT	As above with CB components for 2 cables
	22	704289	FOSC ACC Cable Seal-2 NW	Wraparound cable seal for use on any oval port
		507739	FOSC ACC Branch Off Clip	Branch clip & Alum. tape for 2 cables in one port
	22	N/A	Cable-Termination-1-Sub	Subassembly
	22	N/A	Cable-Block-1-Sub	Subassembly
Cable Blocking				
	23	743103	FOSC ACC Cable Block T	Tubular CB components for 1 cable in any port
	23	920363	FOSC ACC Cable Block W	Wraparound CB components for looped cable
	23	464649	FOSC ACC CB Sleeve W	Wraparound sleeve, looped cable CB for oval port
Transportation Tubes and Funnels				
	24	526767	FOSC ACC TTube-Sml1-16in	Small (5/32") Transportation Tubes, 16 in. long
	24	118317	FOSC ACC TTube-Lrge-16in	Large (3/16") Transportation Tubes, 16 in. long
	24	577809	FOSC ACC TTube-Ribn-16in	Ribbon (7/32") Transportation Tubes, 16 in. long
		829333	FOSC ACC TTube-Sml1-50ft	50 ft roll of small (5/32") Transportation Tubing
		646311	FOSC ACC TTube-Lrge-50ft	50 ft roll of large (3/16") Transportation Tubing
		226809	FOSC ACC TTube-Ribn-50ft	50 ft roll of ribbon (7/32") Transportation Tubing
	24	300025	FOSC ACC Funnel	Funnel & heat-shrink tubing. (No TTubes)
	24	032617	FOSC ACC Funnel-Ribbon	Funnel & 6 ribbon TTubes. (No H/S tubing)
Splice Modules				
	25	581981	FOSC ACC SM6 Modules	Splice module for 6 splices
	25	332341	FOSC ACC SM8 Modules	Splice module for 8 splices
	25	275897	FOSC ACC SM12 Modules	Splice module for 12 splices
		371793	FOSC ACC SM Mass Mech	Splice module for 1 mass mech. splice

Note: CB = Cable Blocking

	Page No.	Part No.	Description	
Closure Mounting Brackets	26	072257	FOSC ACC A/B Pole Mount	For mounting A or B closure to pole or wall
	26	919435	FOSC ACC D Pole Mount	For mounting D closure to pole or wall
	26	360889	FOSC ACC Lashing Straps	For lashing A, B, or D closures to strand
	27	663259	FOSC ACC Aerial Clamps	To offset A, B, or D closures on strand
Bonding, Grounding and Miscellaneous	27	308909	FOSC ACC Bond Clamp 5.5 inch	Bond clamp with #8 wire and hooked eyelet
	27	875527	FOSC ACC Bond Clamp 3 inch	As above - shorter length for D5/B and D/Gel
	27	754621	FOSC ACC Bond Wire	Bond wire (#6) with eyelets on both ends
	28	523573	FOSC ACC Fiber Ext Grnd	External ground kit - 1 x No. 6
		449105	FOSC-ACC-Mult-Ext-Grnd-3	Multiple external ground - 3 x No. 6
	28	671575	FOSC-ACC-Mult-Ext-Grnd-6	Multiple external ground - 6 x No. 6
		227709	FOSC-ACC-Isol-Term	To seal and isolate GFT lugs (2)
		061959	FOSC-ACC-Isol-Term-w/QD	Above with sealed quick disconnect
		258327	FOSC-ACC-Quick-Discon	Above sealed quick disconnect only (2)
28	227359	FOSC-ACC-OPGW Tubing	Terminate optical ground wire in any port	
Installation Tools	29	155195	FOSC ACC CV1981-110V	Heat gun (110V) with reducer tip
	29	607763	FOSC ACC CV1981-220V	As above for 220 V
	29	063573	FOSC ACC Torch Assembly	Seiver-matic S propane torch assembly
	29	587253	FOSC ACC Dome Holder	Tool to help hold dome while installing clamp
	30	865059	FOSC ACC Work Stand	Optional work stand for all FOSC closures
100/200 Accessories	30	068759	FOSC ACC D Dome Conv HAG	FOSC 200D to 400D conversion kit
	30	018883	FOSC ACC B Dome Conv HAG	FOSC 100B to 400B conversion kit
	31	294829	FOSC ACC 100B Dome Seal	Dome seal for FOSC 100B closures - hot air
	31	956109	FOSC ACC 200D Dome Seal	Dome seal for FOSC 200D closures - hot air
Splice Protection Sleeves	31	693979	SMOUV 1120-01	62 mm single fusion splice sleeve
	31	143339	SMOUV 1120-02	45 mm single fusion splice sleeve
	31	888498	SMOUV-1120-R2/12-US	47 mm ribbon fusion splice sleeve (2 to 12 fibers)
Other Closures				
FOSC 400 D5/B	32	354371	FOSC 400 D5/B 12-1-NNV	
		220117	FOSC 400 D5/B 12-1-BNV	
		765959	FOSC 400 D5/B 12-1-NGV	
		581867	FOSC 400 D5/B 12-1-BGV	
		288365	FOSC 400 D5/B 16-1-NNV	
		737621	FOSC 400 D5/B 16-1-BNV	
		764221	FOSC 400 D5/B 16-1-NGV	
		385357	FOSC 400 D5/B 16-1-BGV	
		193595	FOSC 400 D5/B 24-1-NNV	
		529747	FOSC 400 D5/B 24-1-BNV	
		232157	FOSC 400 D5/B 24-1-NGV	
		977317	FOSC 400 D5/B 24-1-BGV	
	FOSC 400 XCON	32		There are a wide variety of XCON closures available. Please refer to naming convention on page 7 and contact our Customer Service Group for part numbers and pricing.
FOSC 400 D/Gel	32	716167	FOSC400-D/Gel-NT-0-NGV	Kit includes D Basket
		656025	FOSC-ACC-D/Gel-Cable-Kit	Replacement parts. Closure kit includes all necessary cable termination hardware

Product Descriptions, Part Numbers and Photographs

FOSC-400-D5-36-1-BGV

"D" size closure with one 36 splice tray, Cable Blocking (B), two Ground Feed-thru lugs (G), and Valve (V).

Description: FOSC-400-D5-36-1-BGV
Part Number: 892435
SOQ: 1

Box Contents:

- A. Installation instructions
- B. Dome
- C. Base with tray (tray type and number are optional)
- D. Clamp
- E. Cable termination sub for two cables (CT2) (see page 16)
- F. Cable block sub for two cables-optional (CB2) (see page 16)
- G. Oval port seal
- H. Mounting brackets (2)



FOSC-400-B2-12-1-BGV and FOSC-400-B4-12-1-BGV

"B" size closure with one 12 splice tray, Cable Blocking (B), Ground Feed-thru lug (G), and Valve (V)

Description: FOSC-400-B2-12-1-BGV
FOSC-400-B4-12-1-BGV
Part Number: 462619 (B2)
247137 (B4)
SOQ: 1

Box Contents:

- A. Installation instructions
- B. Dome
- C. Base with tray
- D. Clamp
- E. Cable termination sub for 2 cables (CT2) (see page 16)
- F. Cable Block sub for 2 cables-optional (CB2)(see page 16)
- G. Oval port seal



FOSC-400-A4-12-1-BGV

"A" size Closure, 1 oval & 4 small round ports, one 12 splice tray, Cable Blocking (B), Ground Feed-thru lug (G), and Valve (V)

Description: FOSC-400-A4-12-1-BGV
Part Number: 324067
SOQ: 1

Box Contents:

- A. Installation instructions
- B. Dome
- C. Base with tray
- D. Clamp
- E. Cable termination sub for 2 cables (CT2) (see page 16)
- F. Cable Block sub for 2 cables-optional (CB2) (see page 16)
- G. Oval port seal
- H. "Sock" for storing express loose buffer tubes



*SOQ = Standard Order Quantity

CABLE-TERMINATION-2-SUB

Subassembly contained in closure kits and oval port sealing kits (CT2 Sub). Contains components to terminate 2 cables.

Description: n/a
Part Number: n/a
SOQ: n/a

Box Contents:

- A. Small heat-shrink tubing (2)
- B. Bond clamp wire (2)
- C. Small transportation tubes (12)
- D. Large transportation tubes (12)
- E. Cleaning tissues (2)
- F. Abrasive strips (2)
- G. ID label cards
- H. Tie wraps (12)
- I. Aluminum tape (2)
- J. Branch off clip



CABLE-BLOCK-2-SUB

Optional subassembly contained in closure kits and oval port seals (CB2 sub). Contains components to cable block 2 cables.

Description: n/a
Part Number: n/a
SOQ: n/a

Box Contents:

- A. Installation instructions
- B. Heat-shrink tubing (2)
- C. Foam strips (2)
- D. Adhesive rings (4)
- E. Cleaning tissues (2)
- F. Abrasive strip (1)
- G. Tie wraps (4)



FOSC-ACC-D-TRAY-XX

"D" splice tray with six splice modules.

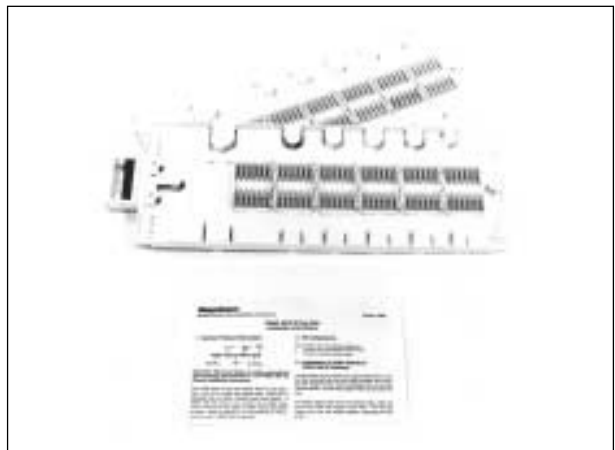
Description: FOSC-ACC-D-TRAY-36
FOSC-ACC-D-TRAY-48
FOSC-ACC-D-TRAY-72

Part Number: 426579 (36)
579575 (48)
915167 (72)
Each part number equals one tray.
Trays are shipped two in a box.

SOQ: 2

Box Contents:

- A. Installation instructions
- B. D-size fiber splice trays (2). Each tray has 6 splice modules and a dust cover.
- C. Tie wraps (6, not shown)



FOSC-ACC-D-BASKET

Basket for storing slack or express (uncut) LBT's or ribbon fiber in FOSC 400 D5 closures.

Description: FOSC-ACC-D-BASKET
Part Number: 089279
SOQ: 1

- Box Contents:
- A. Installation instructions
 - B. Basket (occupies 2 tray locations)
 - C. Ribbon transportation tubes (18)
 - D. 6 ft spiral tubing
 - E. Tie wraps (10)



FOSC-ACC-D-BASKET-B

Basket for storing slack or express (uncut) LBT's or ribbon fiber in FOSC 400 D5 closures. Includes two wraparound cable blocking sleeves.

Description: FOSC-ACC-D-BASKET-B
Part Number: 035297
SOQ: 1

- Box Contents:
- A. Installation instructions
 - B. Basket (occupies 2 tray locations)
 - C. Ribbon transportation tubes (18)
 - D. 6 ft spiral tubing
 - E. Wraparound cable block sleeves (2)
 - F. Channels (2)
 - G. Tie wraps (10)



FOSC-ACC-D-BASKET-TALL

Tall basket for storing slack or express (uncut) LBT's or ribbon fiber in D5 closure.

Description: FOSC-ACC-D-BASKET-TALL
Part Number: 056395
SOQ: 1

- Box Contents:
- A. Installation instructions
 - B. Tall Basket (occupies 3 tray locations)
 - C. Ribbon transportation tubes (18)
 - D. 6 ft spiral tubing
 - E. Tie wraps (10)



FOSC-ACC-D-BASKET-TALL-B

Tall basket for storing slack or express (uncut) LBT's or ribbon fiber in D5 closure. Includes two wraparound cable blocking sleeves.

Description: FOSC-ACC-D-BASKET-TALL-B
Part Number: 380999
SOQ: 1

Box Contents:

- A. Installation instructions
- B. Tall Basket (occupies 3 tray locations)
- C. Ribbon transportation tubes (18)
- D. 6 ft spiral tubing
- E. Wraparound cable block sleeves (2)
- F. Channels (2)
- G. Tie wraps (10)



FOSC-ACC-D-RIBBON-ROUTER

Used to help route ribbons & tubes from D Basket to splice trays.

Description: FOSC-ACC-D-RIBBON-ROUTER
Part Number: 525147
SOQ: 1

Box Contents:

- A. Installation instructions
- B. Router tray
- C. Ribbon transportation tubes (18)
- D. Large and small tie wraps



FOSC-ACC-B-TRAY-XX

"B" splice tray with 2 splice modules

Description: FOSC-ACC-B-TRAY-12
FOSC-ACC-B-TRAY-16
FOSC-ACC-B-TRAY-24
Part Number: 898849 (12)
299295 (16)
863927 (24)
SOQ: 2

Box Contents:

- A. Installation instructions
- B. B-size fiber splice trays (2). Each tray has two splice modules, 6 tabs, and dust cover
- C. Tie wraps (6, not shown)



FOSC-ACC-B-BASKET

Basket for storing express (uncut) LBTs, loose fiber or ribbons.

Description: FOSC-ACC-B-BASKET
Part Number: 457507
SOQ: 1

- Box Contents:
- A. Installation instructions
 - B. Basket
 - C. Ribbon transportation tubes (6)
 - D. Spiral tubing
 - E. Hardware for "open-side-down" applications
 - F. Hardware for "open-side-up" applications
 - G. Velcro strip
 - H. Short tie wraps
 - I. Long tie wraps



FOSC-ACC-B-BASKET-B

Basket for storing express (uncut) LBTs, loose fiber or ribbons. Includes two wraparound cable blocking sleeves.

Description: FOSC-ACC-B-BASKET-B
Part Number: 439027
SOQ: 1

- Box Contents:
- A. Installation instructions
 - B. Basket
 - C. Ribbon transportation tubes (6)
 - D. Spiral tubing
 - E. Wraparound cable block sleeves
 - F. Channels (2)
 - G. Hardware for "open-side-up" applications
 - H. Hardware for "open-side-down application"
 - I. Velcro strip
 - J. Short tie wraps
 - K. Long tie wraps

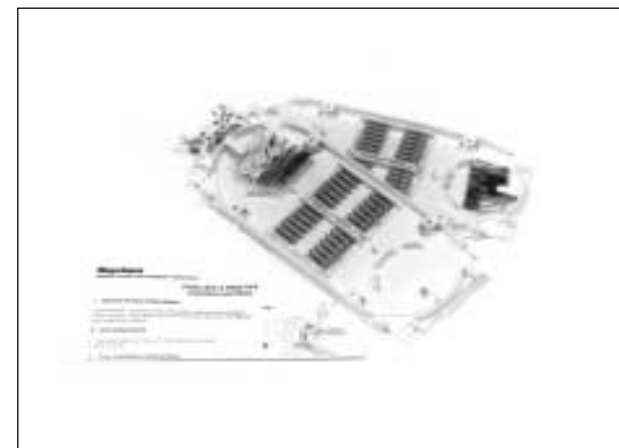


FOSC-ACC-A-TRAY-XX

"A" splice tray with 2 splice modules.

Description: FOSC-ACC-A-TRAY-12
FOSC-ACC-A-TRAY-16
FOSC-ACC-A-TRAY-24
Part Number: 497817 (12)
019847 (16)
429567 (24)
SOQ: 2

- Box Contents:
- A. Installation instructions
 - B. A-size fiber splice trays (2). Each tray has two splice modules, 4 tabs, and dust cover
 - C. Tie wraps (6, not shown)



FOSC-ACC-A-BASKET

Basket for storing express (uncut) loose fiber or ribbons.

Description: FOSC-ACC-A-BASKET
Part Number: 028323
SOQ: 1

Box Contents:

- A. Installation instructions
- B. Basket
- C. Basket cover
- D. Nut, screw, and spacer



FOSC-ACC-CABLE-SEAL-1-NT

Cable sealing kit (T = tubular) to install one (1) cable in any round port.

Description: FOSC-ACC-CABLE-SEAL-1-NT
Part Number: 694667
SOQ: 1

Box Contents:

- A. FOSC 400 round port sealing sleeve
- B. Cable-Termination 1 Sub (CT1) (see page 22)
(includes B and D washer with screw, bond clamp wire, large transportation tubes, aluminum tape, small heat-shrink tubing, tie wraps, small transportation tubes, cleaning tissue, abrasive strips, distributor funnel/cap, ribbon transportation tube, ID labels, installation instructions)



FOSC-ACC-CABLE-SEAL-1-BT

Cable sealing kit (T = tubular) to install one (1) cable in any round port with cable blocking (B) components for one cable.

Description: FOSC-ACC-CABLE-SEAL-1-BT
Part Number: 738827
SOQ: 1

Box Contents:

- A. FOSC 400 round port sealing sleeve
- B. Cable-Termination 1 Sub (CT1) (see page 22)
(includes B and D washer with screw, bond clamp wire, large transportation tubes, aluminum tape, small heat-shrink tubing, tie wraps, small transportation tubes, cleaning tissue, abrasive strips, distributor funnel/cap, ribbon transportation tube, ID labels, installation instructions)
- C. Cable Block 1 Sub (CB1) (see page 22)
(includes: tie wraps, cleaning tissue, foam, abrasive strip, adhesive rings, heat-shrink tubing, installation instructions)



FOSC-ACC-CABLE-SEAL-1-NW

Wraparound (W) cable seal (sleeve only) for use on any round port.

Description: FOSC-ACC-CABLE-SEAL-1-NW
Part Number: 274041
SOQ: 5

Box Contents:

- 5 Wraparound cable seal kits. Each kit contains:
 - A. Installation instructions
 - B. Wraparound round port seal
 - C. Channel
 - D. Velcro strip
 - E. Cleaning tissue
 - F. Abrasive strip
 - G. Aluminum tape



FOSC-ACC-CABLE-SEAL-2-NT

Cable sealing kit (T = tubular) to install two (2) cables in any oval port.

Description: FOSC-ACC-CABLE-SEAL-2-NT
Part Number: 175493
SOQ: 1

Box Contents:

- A. Installation instructions
- B. Hot air oval port seal (tubular)
- C. Cable termination-2-sub (CT2) (see page 16)
(Includes bond clamp wires, ID label cards, small and large transportation tubes, aluminum tape, small heat-shrink tubing, branch off clip, tie wraps, cleaning tissue, abrasive strip, distribution funnels and caps)



FOSC-ACC-CABLE-SEAL-2-BT

Cable sealing kit to install two cables in any oval port with cable blocking components for two cables.

Description: FOSC-ACC-CABLE-SEAL-2-BT
Part Number: 856587
SOQ: 1

Box Contents:

- A. Installation instructions
- B. Hot air oval port seal (tubular)
- C. Cable Termination-2 sub (CT2) (see page 16)
(Includes bond clamp wires, ID label cards, small and large transportation tubes, aluminum tape, small heat-shrink tubing, branch-off clip, tie wraps, cleaning tissue, abrasive strips, distribution funnels and caps)
- D. Cable Block-2 sub (CB2) (see page 16)
(includes tie wraps, cleaning tissues, heat-shrink tubing, foam strip, abrasive strip, adhesive rings, installation instructions)



FOSC-ACC-CABLE-SEAL-2-NW

Wraparound (W) cable seal (sleeve only) for use on any oval port.

Description: FOSC-ACC-CABLE-SEAL-2-NW
Part Number: 704289
SOQ: 5

Box Contents:

5 Cable seal kits. Each kit includes:

- A. Installation instructions
- B. Wraparound oval port seal
- C. Channel
- D. Velcro strip
- E. Cleaning tissue (2)
- F. Abrasive strip
- G. Aluminum tape (2)
- H. Branch-off clip



CABLE-TERMINATION-1-SUB

Subassembly contained in all round port sealing kits (CT1). Contains components to terminate 1 cable.

Description: n/a
Part Number: n/a
SOQ: n/a

Box Contents:

- A. Installation Instructions
- B. Small heat-shrink tubing
- C. Distributor funnel and cap
- D. Large transportation tubes (6)
- E. Small transportation tubes (6)
- F. Ribbon transportation tube (1, not shown)
- G. Bond clamp wire
- H. Cleaning tissue
- I. Abrasive strip
- J. Strength member termination hardware
- K. Transportation tube ID labels (not shown)
- L. Aluminum tape
- M. Tie wraps (6)



CABLE-BLOCK-1-SUB

Optional subassembly contained in round port cable sealing kits (CB1). Contains components to cable block 1 cable.

Description: n/a
Part Number: n/a
SOQ: n/a

Box Contents:

- A. Installation instructions
- B. Heat-shrink tubing
- C. Foam strip
- D. Adhesive rings (2)
- E. Cleaning tissue
- F. Abrasive strip
- G. Tie wraps (2)



FOSC-ACC-CABLE-BLOCK-T

Tubular cable blocking components for one cable end in any port.
(CB1 Sub)

Description: FOSC-ACC-CABLE-BLOCK-T
Part Number: 743103
SOQ: 10

Box Contents:

- A. Cable Block 1 Sub (10) (CB1) (see page 22)
(includes: tie wraps, cleaning tissue, foam strip, abrasive strip, adhesive rings, heat-shrink tubing, installation instructions)



FOSC-ACC-CABLE-BLOCK-W

Wraparound cable blocking components for one end of a looped cable. (CB1 Sub and wraparound sleeve)

Description: FOSC-ACC-CABLE-BLOCK-W
Part Number: 920363
SOQ: 10

Box Contents:

- A. Wraparound cable block sleeves (10)
- B. Channels (10)
- C. Cable Block 1 Sub (10) (CB1) (see page 22)
(includes: tie wraps, cleaning tissue, foam strip, abrasive strip, adhesive rings, heat-shrink tubing, installation instructions)



FOSC-ACC-CB-SLEEVE-W

Wraparound sleeve for cable blocking looped or express cable end in oval port.

Description: FOSC-ACC-CB-SLEEVE-W
Part Number: 464649
SOQ: 25

Box Contents:

- A. Wraparound cable block sleeves (25)
- B. Channels (25)



FOSC-ACC-TTUBE-SMLL-16IN
FOSC-ACC-TTUBE-LRGE-16IN
FOSC-ACC-TTUBE-RIBN-16IN

- Small (5/32") Transportation Tube, 16 in. long (for 6 fiber buffer tubes and standard distribution funnel)
- Large (3/16") Transportation Tube, 16 in. long (for 12 fiber buffer tubes)
- Ribbon (7/32") Transportation Tube, 16 in. long (Can put 6 fiber ribbons per tube. Also used with ribbon funnel)

Description: FOSC-ACC-TTUBE-SMLL-16IN
 FOSC-ACC-TTUBE-LRGE-16IN
 FOSC-ACC-TTUBE-RIBN-16IN

Part Number: 526767 (small)
 118317 (large)
 577809 (ribbon)

SOQ: 240

Box Contents:

- A. Small, large or ribbon transportation tubes in bundles of six
 (240 tubes = 40 bundles of 6)



FOSC-ACC-FUNNEL

Funnel for routing fibers from Central Core Tube cable to splice trays.

Description: FOSC-ACC-FUNNEL
 Part Number: 300025
 SOQ: 25

Box Contents:

- A. Installation instructions (25)
 B. Heat-shrink tube (25)
 C. Distributor funnel and cap in bag (25)



FOSC-ACC-FUNNEL-RIBBON

Funnel for routing fiber ribbons from cable to splice trays.

Description: FOSC-ACC-FUNNEL-RIBBON
 Part Number: 032617
 SOQ: 10

Box Contents:

- A. Installation instructions (10)
 B. Ribbon funnel and cap in bag (10)
 C. Ribbon transportation tubes (6x10)



FOSC-ACC-SM6-MODULES

Splice module, each holds 6 single fusion, mechanical, or mass fusion splices.

Description: FOSC-ACC-SM6-MODULES
Part Number: 581981
SOQ: 48

Box Contents:

- A. Installation instruction (not shown)
- B. SM6 Splice Modules (48)



FOSC-ACC-SM8-MODULES

Splice module, each holds 8 single fusion or 4 single mechanical splices

Description: FOSC-ACC-SM8-MODULES
Part Number: 332341
SOQ: 48

Box Contents:

- A. Installation instruction (not shown)
- B. SM8 splice modules (48)



FOSC-ACC-SM12-MODULES

Splice module, each holds 12 single fusion splices. (Use with Tyco Electronics SMOUV splice protection sleeves - see page 31).

Description: FOSC-ACC-SM12-MODULES
Part Number: 275897
SOQ: 48

Box Contents:

- A. Installation instruction (not shown)
- B. SM12 splice modules (48)



FOSC-ACC-A/B-POLE-MOUNT

Bracket for mounting A or B closure to pole or wall.

Description: FOSC-ACC-A/B-POLE-MOUNT
Part Number: 072257
SOQ: 1

Box Contents:

- A. Installation instructions
- B. Mounting hardware and pin
- C. Hose clamp
- D. Bolt (1) with anchor (1) and screws (2)



FOSC-ACC-D-POLE-MOUNT

Bracket for mounting D closure to pole or wall.

Description: FOSC-ACC-D-POLE-MOUNT
Part Number: 919435
SOQ: 1

Box Contents:

- A. Installation instructions
- B. Pole mount bracket
- C. Mounting Hardware



FOSC-ACC-LASHING-STRAPS

Kit has components to lash A, B, or D closures directly to an aerial strand.

Description: FOSC-ACC-LASHING-STRAPS
Part Number: 360889
SOQ: 10

Box Contents:

- A. Installation instructions (not shown)
- B. Lashing strap kits (10)
(each kit includes 2 lashing straps, 2 large tie-wraps, and 4 spacers as pictured)



FOSC-ACC-AERIAL-CLAMPS

Kit has offset brackets to mount A, B, or D closures to an aerial strand.

Description: FOSC-ACC-AERIAL-CLAMPS
Part Number: 663259
SOQ: 10

Box Contents:
A. Installation instructions (not shown)
B. Aerial Clamp Subs (10)
(Each sub contains L-brackets, straps and strand nuts as pictured)



FOSC-ACC-BOND-CLAMP 5.5 inch **FOSC-ACC-BOND-CLAMP 3 inch**

Alligator bond clamp with #8 wire and hooked eyelet.

Description: FOSC-ACC-BOND-CLAMP-5.5
FOSC-ACC-BOND-CLAMP-3
Part Number: 308909 (5.5")
875527 (3")
SOQ: 25

Box Contents:
A. Alligator bond clamp with #8 wire and hooked eyelet (25)



FOSC-ACC-BOND-WIRE

Bond wire with eyelets on both ends.

Description: FOSC-ACC-BOND-WIRE
Part Number: 754621
SOQ: 25

Box Contents:
A. Bond wires with eyelets on both ends (25)



FOSC-ACC-FIBER-EXT-GRND

External ground or "FEG" kit to isolate one cable ground through closure port.

Description: FOSC-ACC-FIBER-EXT-GRND
Part Number: 523573
SOQ: 5

Box Contents:

- 5 FEG kit as pictured (each kit includes)
- A. Installation instructions
- B. Insulated #6 ground wire with eyelet, nut and screw
- C. Adhesive/mesh assembly
- D. 3 inch heat-shrink tubing
- E. Short tie wraps (2)



FOSC-ACC-Mult-Ext-Grnd-6

Multiple external ground (6 x No. 6) for installation in any large round cable port.

Description: FOSC-ACC-Mult-Ext-Grnd-6
Part Number: 671575
SOQ: 1

Box Contents:

- A. Installation instructions
- B. Multiple ground assembly
- C. Tubular cable seal for round port
- D. Short pieces of heat-shrink tubing (6)
- E. Cleaning tissue
- F. Abrasive strip



FOSC-ACC-OPGW-TUBING

For terminating stranded optical ground wire in any closure.

Description: FOSC-ACC-OPGW-TUBING
Part Number: 227359
SOQ: 25

Box Contents:

- A. OPGW Tubing kit (25)
(each kit includes: 2 heat-shrink tubes, 1 installation instructions, short tie wraps, 1 long tie wrap)



FOSC-ACC-CV1981-XXXV

Heat gun with reducer tip for installing hot air cable seals & cable blocks on FOSC 400 closures.

Description: FOSC-ACC-CV1981-110V
FOSC-ACC-CV1981-220V
Part Number: 155195
607763
SOQ: 1

Box Contents:
A. Hot air gun with adjustable power settings
B. Reducer tip



FOSC-ACC-TORCH-ASSEMBLY

Portable propane torch kit for installing FOSC 400 cable seals.

Description: FOSC-ACC-TORCH-ASSEMBLY
Part Number: 063573
SOQ:

Box Contents:
A. Installation instructions
B. Burner
C. Handle
D. Regulator
E. Hose



FOSC-ACC-DOME-HOLDER

To temporarily help hold dome on base of FOSC 400 closure while installing clamp

Description: FOSC-ACC-DOME-HOLDER
Part Number: 587253
SOQ: 1

Box Contents:
A. Dome holder



FOSC-ACC-WORK-STAND

Optional work stand for all FOSC 100, 200 and 400 closures.

Description: FOSC-ACC-WORK-STAND
Part Number: 865059
SOQ: 1

Box Contents:

- A. Installation instructions
- B. Base
- C. A and B closure holder (FOSC 100 and FOSC 400)
- D. FOSC 200 D closure holder
- E. FOSC 400 D closure holder
- F. Nuts and bolts for mounting FOSC 400 D closures



FOSC-ACC-D-DOME-CONV-HAG

Collar, dome, clamp, and hot air seal to convert FOSC 100 D or FOSC 200 D closure to FOSC 400 D closure.

Description: FOSC-ACC-D-DOME-CONV-HAG
Part Number: 068759
SOQ: 1

Box Contents:

- A. Installation instructions
- B. FOSC 400 D dome
- C. FOSC 400 D dome-to-base clamp
- D. Conversion collar
- E. O-ring
- F. Heat-shrinkable base-to-collar seal
- G. Adhesive strip
- H. Cleaning tissue (2)
- I. Abrasive strip
- J. FOSC 100 insert plug
- K. Mounting Brackets (2)



FOSC-ACC-B-DOME-CONV-HAG

Collar, dome, clamp, and hot air seal to convert FOSC 100 B closure to FOSC 400 B closure.

Description: FOSC-ACC-B-DOME-CONV-HAG
Part Number: 018883
SOQ: 1

Box Contents:

- A. Installation instructions
- B. Dome (400B)
- C. FOSC 400B dome-to-base clamp
- D. Conversion collar
- E. O-ring
- F. Locking ring
- G. Hot air seal
- H. Adhesive strip
- I. Cleaning tissue
- J. Abrasive strip



FOSC-ACC-100B-Dome Seal

Hot Air installed base-to-dome seal for FOSC 100 B closures.

Description: FOSC-ACC-100B-DOME-SEAL
Part Number: 294829
SOQ: 1

- Box Contents:
- A. Installation instruction (not shown)
 - B. Hot air dome/base seal for B size closures
 - C. Locking ring
 - D. Cleaning tissue
 - E. Abrasive strip



FOSC-ACC-200D-Dome Seal

Hot Air base-to-dome seal for FOSC 100 D and FOSC 200 D closures.

Description: FOSC-ACC-200D-DOME-SEAL
Part Number: 956109
SOQ: 1

- Box Contents:
- A. Installation instructions
 - B. Adhesive strip
 - C. Heat-shrinkable seal
 - D. Cleaning tissues (2)
 - E. Abrasive strip



SMOUV-1120-01-US **SMOUV-1120-02-US** **SMOUV-1120-R2/12-US**

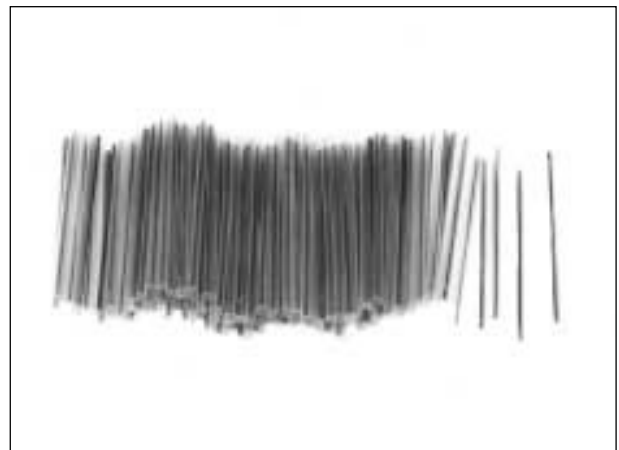
62 mm and 42mm long single fusion splice sleeves, and 47 mm long ribbon, mass fusion splice sleeves.

Description: SMOUV-1120-01-US (62mm)
SMOUV-1120-02-US (42mm)
SMOUV-1120-R2/12-US (47mm)

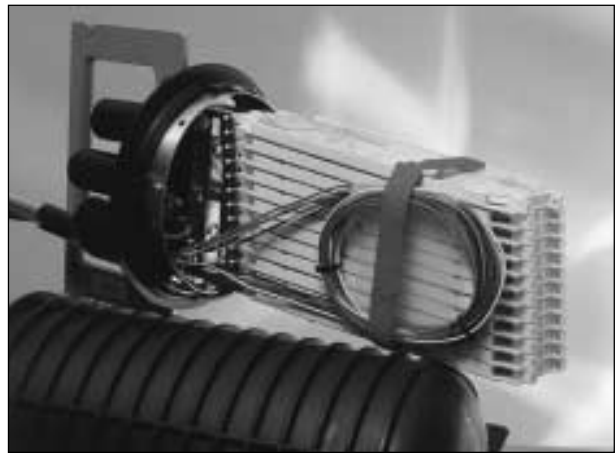
Part Number: 693979 (62mm)
143339 (42mm)
888498 (47mm)

SOQ: 100 (62mm)
100 (42mm)
50 (47mm)

- Bag Contents
- A. SMOUV sleeves, 100 for single fusion and 50 for mass fusion.



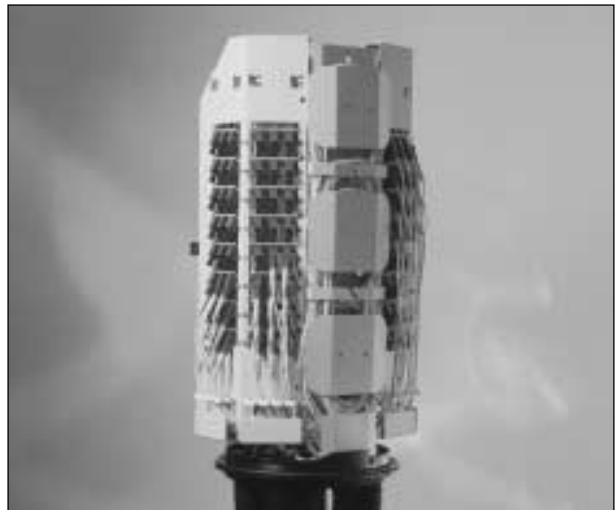
FOSC 400 D5/B Closure



FOSC 400 D/Gel Closure



FOSC 400 XCON Closure



te.com

TE Connectivity, TE Connectivity (logo) and Every Connection Counts are trademarks. All other logos, products and/or company names referred to herein might be trademarks of their respective owners.

The information given herein, including drawings, illustrations and schematics which are intended for illustration purposes only, is believed to be reliable. However, TE Connectivity makes no warranties as to its accuracy or completeness and disclaims any liability in connection with its use. TE Connectivity's obligations shall only be as set forth in TE Connectivity's Standard Terms and Conditions of Sale for this product and in no case will TE Connectivity be liable for any incidental, indirect or consequential damages arising out of the sale, resale, use or misuse of the product. Users of TE Connectivity products should make their own evaluation to determine the suitability of each such product for the specific application.

© 2014 TE Connectivity Ltd. family of companies All Rights Reserved.

ogFOSC400_A Original © 2003

ORDERING GUIDE

P.O. Box 1101
Minneapolis, Minnesota
USA 55440-1101
Tel: 1-800-366-3891 x73000
1-952-917-3000
Fax: 1-952-917-3237

www.te.com/bns

Tyco Electronics Corporation,
a TE Connectivity company.

